

The EliteLux L2 utilizes the Cool Beam Technique, offering a more economical, high performance and yet thermally stable spotlight.

EliteLux L2 series is a member of our Cool Beam Technique solutions, specially designed for high performance and maximum light intensity. The L2 series features one piece of 1W, 3W or 4W power LED; stylish aluminum housing not only provides a fancy look of the futures, but also a sophisticated heat sink as it makes heat dissipating more efficiently. EliteLux L2 series MR16 retrofits into standard MR16 fixtures and housings, hence enables immediate replacement without any additional adjustments.

The lamp features standard MR16 bi-pin connectors and molded aluminum housing with chrome or frosted finish. The EliteLux L2 series is available in 1W, 3W and 4W power rating. They are also available in two distinct white Kelvin temperatures: 3500K and 6000K. Other custom colors are also available.

The L2 series utilizes the Cool Beam Technique specifically developed for driving high power (up to 5W) solid state devices. It uniquely allows heat to dissipate efficiently; making the product thermally stable for long hours of operation and last much longer than conventional LED based MR16.

EliteLux L2 series MR16 is equipped with optical grade polycarbonate collimator that allows highest light transmission at 45° beam angle.



Features

- Light source: 1W, 3W or 4W power LED
- Source life: More than 40,000 hours
- Low heat, no UV or IR light radiation
- Full range of colors
- Homogeneous illumination
- Sleek designed heat fins with excellent thermal efficiency
- 4W MR16 can achieve directional light output equal to 25W halogen lamp yet consume 80% less power
- Reverse polarity protection
- Safety Standard: CE
- 1 year limited warranty
- Works with 12V AC/DC lighting systems

Typical Applications

- Landscape Accent/Spot lighting
- Architectural Lighting
- Display Case Accent
- Artwork Lighting
- Mood Lighting/General lighting
- Amusement Park Accent



PRODUCT SPECIFICATIONS

LIGHT SOURCE	<i>1X1W, 1X3W or 1X4W power LED</i>
OPTICS	<i>Optical grade PC lens</i>
LENS DIAMETER	<i>28 mm</i>
BEAM ANGLE	<i>45° (Wide Spot)</i>
MIN BEAM DISTANCE	<i>15cm (6 inches)</i>
RENDERING INDEX (Ra)	<i>>70 (for cool white)</i>
TOTAL LENGTH	<i>53.4 mm (including pins)</i>
WEIGHT	<i>38 g</i>
HOUSING	<i>Molded aluminum with chrome or black anodize finish, 5 cm (2") diameter.</i>
BASE	<i>GX5.3 pins</i>
DIMMABILITY	<i>Not Dimmable</i>

ENVIRONMENTAL SPECIFICATIONS

TEMPERATURE RANGE	<i>Ambient: -20° C to 40° C; Surface of Lamp: 50° C to 70° C</i>
HUMIDITY RANGE	<i>0 – 95% non-condensing humidity</i>

ELECTRICAL SPECIFICATIONS

VOLTAGE REQUIREMENT	<i>12V AC or DC</i>
POWER CONSUMPTION	<i>1W, 3W or 4W</i>
TRANSFORMER	<i>Low voltage magnetic to provide 12AC or 12VDC</i>

DO NOT CONNECT LAMP TO ELECTRONIC TRANSFORMER

PRODUCT DIMENSIONS (mm)

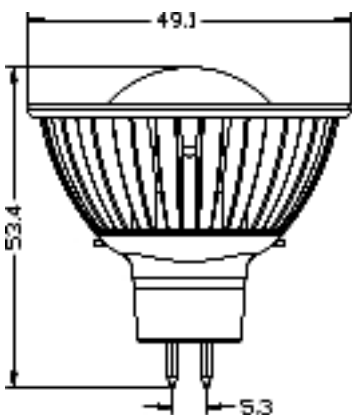


Fig 1. MR16 Side view

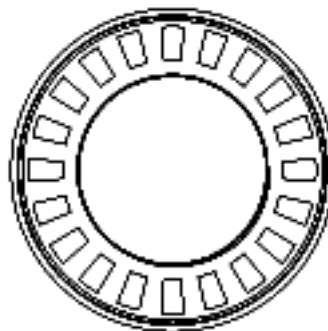


Fig 2. MR16 Top view

PRODUCT ORDERING CODE

ELXL2-X1XS

Power Code

1 = 1 Watt
3 = 3 Watt
4 = 4 Watt

Colour Code

Code	Color	WLD/CCT
W	Cool White	5000K-7000K
V	Warm White	2800K-3800K
R	Red	625nm
A	Yellow	595nm
G	Green	525nm
B	Blue	470nm

Housing Finish

Code	Finish
C	Chrome
B	Black Anodize

Beam Shape

S = Spot

1W MR16 PRODUCT CODE

ORDER CODE	Color	Wavelength or CCT	Operating Voltage	LED Power (W)	Typical Luminous Flux (lm)	Typical Illuminance @ 1m (Lux)	Beam Angle
EL1L2-W1XS	Cool White	5000K~7000K	12V AC/DC	1X1W	40lm	80	45° ± 2°
EL1L2-V1XS	Warm White	2800K~3800K			30lm	70.	
EL1L2-R1XS	Red	625nm			40lm	.	
EL1L2-A1XS	Yellow	595nm			40lm		
EL1L2-G1XS	Green	530nm			40lm		
EL1L2-B1XS	Blue	470nm			15lm		

3W MR16 PRODUCT CODE

ORDER CODE	Color	Wavelength or CCT	Operating Voltage	LED Power (W)	Typical Luminous Flux (lm)	Typical Illuminance @ 1m (Lux)	Beam Angle
EL3L2-W1XS	Cool White	5000K~7000K	12V AC/DC	1X3W	75lm	100	45° ± 2°
EL3L2-V1XS	Warm White	2800K~3800K			45lm	70	
EL3L2-R1XS	Red	625nm			55lm	.80	
EL3L2-A1XS	Yellow	595nm			55lm	80	
EL3L2-G1XS	Green	530nm			55lm	110	
EL3L2-B1XS	Blue	470nm			20lm	8	

4W MR16 PRODUCT CODE

ORDER CODE	Color	Wavelength or CCT	Operating Voltage	LED Power (W)	Typical Luminous Flux (lm)	Typical Illuminance @ 1m (Lux)	Beam Angle
EL4L2-W1XS	Cool White	5000K~7000K	12V AC/DC	1X4W	100lm	140	45° ± 2°
EL4L2-V1XS	Warm White	2800K~3800K			60lm	100	
EL4L2-R1XS	Red	625nm			120lm	130	
EL4L2-A1XS	Yellow	595nm			130lm	110	
EL4L2-G1XS	Green	530nm			120lm	140	
EL4L2-B1XS	Blue	470nm			23lm	15	

Illumination Characteristics ($T_a = 25^\circ C$)

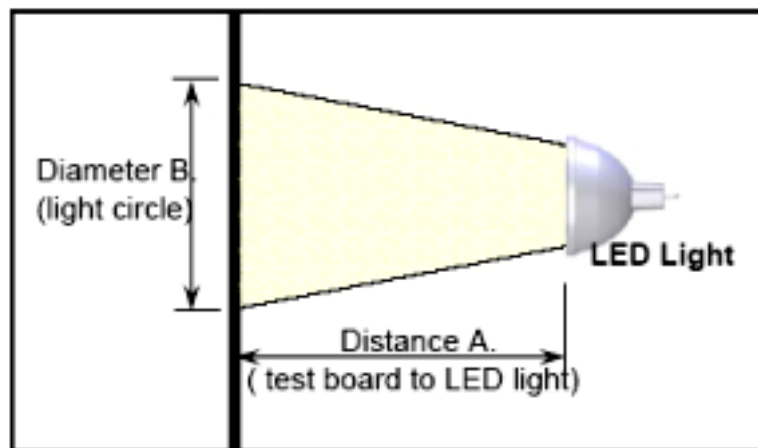


Fig 1. Set up for Illuminance Measurement

1W Model

Distance		Typical Illuminance Measured at Center of Beam (Lux and foot-candle)					
Dist A (cm/inch)	Dist B (cm/inch)	Cool White		Nat. White		Warm White	
		Lux		Lux		Lux	
30	28	780		N.A.		680	
50	45	310		N.A.		290	
100	86	80		N.A.		70	
150	128	40		N.A.		38	
200	160	23		N.A.		20	

Note: a) Center beam lux is measured with Digital Lux Meter (Model TES-1334A)

3W Model

Distance		Typical Illuminance Measured at Center of Beam (Lux and foot-candle)					
Dist A (cm/inch)	Dist B (cm/inch)	Cool White	Warm White	Green	Blue	Red	Yellow
		30	28	900	750	1025	35
50	45	380	290	380	15	300	325
100	86	100	77	110	8	80	88
150	128	48	38	48	3.5	40	43
200	160	28	23	27	3	30	26

Note: a) Center beam lux is measured with Digital Lux Meter (Model TES-1334A)

4W Model

Distance		Typical Illuminance Measured at Center of Beam (Lux and foot-candle)					
Dist A (cm/inch)	Dist B (cm/inch)	Cool White	Warm White	Green	Blue	Red	Yellow
		30	28	1150	1070	1220	50
50	45	480	410	490	25	450	360
100	86	140	110	140	15	130	110
150	128	75	70	75	12	70	50
200	160	50	45	50	10	50	35

Note: a) Center beam lux is measured with Digital Lux Meter (Model TES-1334A)

Typical Electrical Characteristics at $T_a = 25^\circ C$ **1W Model**

Parameter	Symbol	Min	Typ	Max	Unit
Input Voltage (AC)	V_{AC}	10	12	14	V
Input Voltage (DC)	V_{DC}	9	10	12	V
LED Forward Current	I_F	-	300	-	mA
Estimated Life		-	40.000	-	Hours
Optimized Body Temp.(1W)	T	-	50	55	$^\circ C$

Note: Lamp is optimized for 12V AC input voltage

3W Model

Parameter	Symbol	Min	Typ	Max	Unit
Input Voltage (AC)	V_{AC}	10	12	14	V
Input Voltage (DC)	V_{DC}	9	10	12	V
LED Forward Current	I_F	-	500	-	mA
Estimated Life		-	40.000	-	Hours
Optimized Body Temp.(3W)	T	-	55	60	$^\circ C$

Note: Lamp is optimized for 12V AC input voltage

4W Model

Parameter	Symbol	Min	Typ	Max	Unit
Input Voltage (AC)	V_{AC}	10	12	14	V
Input Voltage (DC)	V_{DC}	9	10	12	V
LED Forward Current	I_F	-	700	-	mA
Estimated Life		-	40.000	-	Hours
Optimized Body Temp.(4W)	T	-	65	70	$^\circ C$

Note: Lamp is optimized for 12V AC input voltage

Optional Accessories

- 1) MR16 Connector without clip – Part No.: 21101

Approval: VDE, UL

Rating: 125V 100W/250V 4A

Material: Porcelain



- 2) MR16 Connector with spring Clip – Part No.: 21105

Approval: VDE, UL

Rating: 125V 100W/250V 4A

Material: Porcelain



Optional Power Supply (Recommended for LED MR16 lamps)

- 1) 60W Ferro Magnetic Power Supply – Part No.: PS-60W-12

Specifications:

Input: AC110V or AC220V 50/60 Hz

Output Voltage: AC12V

Output Current: 5A max

Power: 60W max

Weight: 1.2kg

Casing Size: 120x80x65 mm

Remarks: Other wattages is available, please inquire with our sales team



- 2) 60W Switching Power Supply – Part No.: SS-60W-12

Specifications:

Input: AC110V or AC220V 50/60 Hz

Output Voltage: AC12V

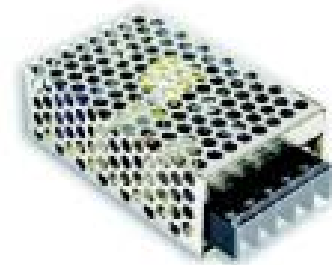
Output Current: 5A max

Power: 60W max

Weight: 0.5Kg

Casing Size: 150x96x40 mm

Remarks: Other wattages is available, please inquire with our sales team



60W Power Supply Installation Note:

3W MR16 – Maximum 15lamps connection per power supply

PACKAGING SPECIFICATIONS

