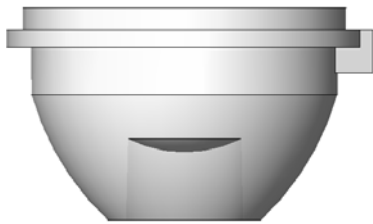




*ProLight Opto*  
Technology Corporation

**ProLight PG1N-NX15  
Collimator  
Technical Datasheet  
Version: 2.1**



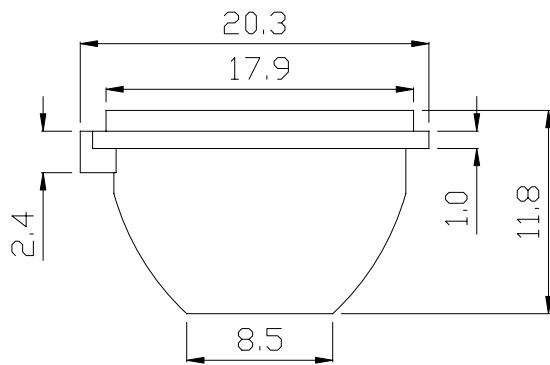
## **Features**

- Up to 90% efficiency
- Viewing angle:  $2\theta_{1/2}=15^\circ$ ,  $2\theta_{0.3}=25^\circ$
- Works with ProLight PG1X Lambertian Series

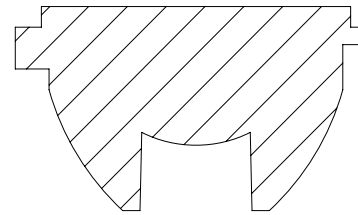
## **Typical Applications**

- Reading lights (car, bus, aircraft)
- Portable (flashlight, bicycle)
- Mini-accent / Decorative / Fiber Optics Alternative
- Undershelf / Task Lighting
- Indoor and Outdoor Commercial and Residential Architectural lighting

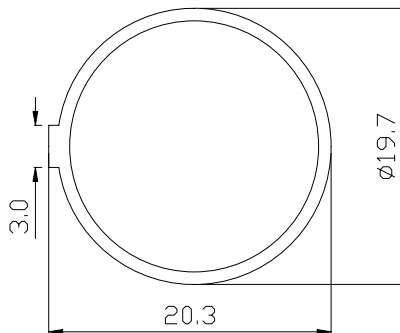
## Collimator Mechanical Dimensions



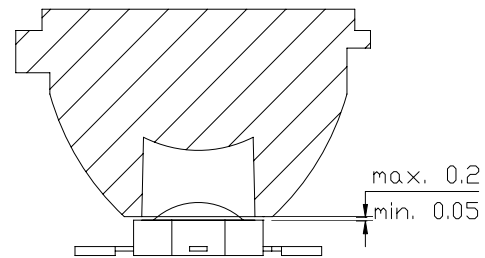
SECTION VIEW



TOP VIEW



Clearance between Collimator and LED

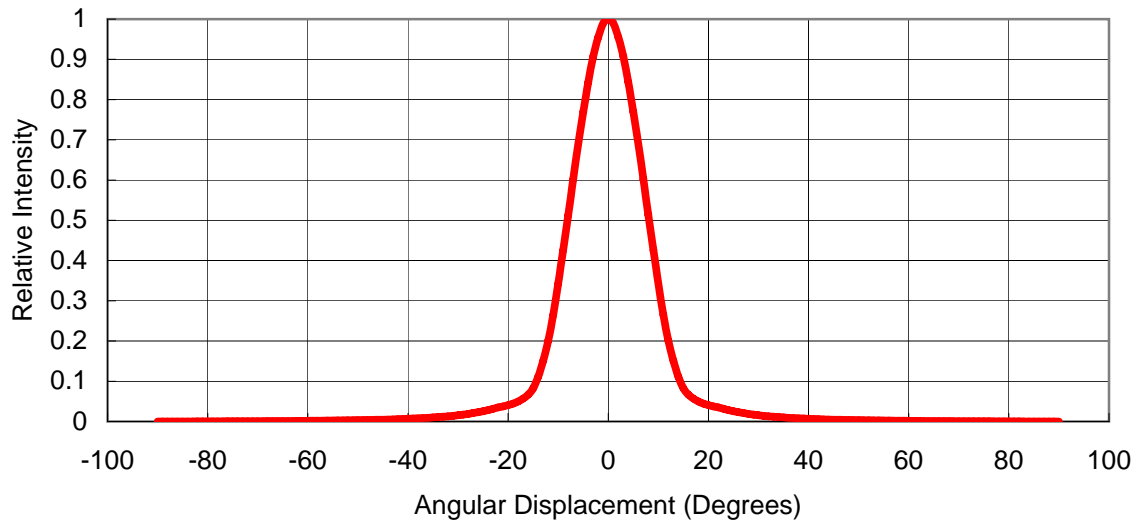


### Notes:

1. All dimensions in millimeters.
2. The collimator rim ( $\phi 19.7\text{mm}$ ) may be used as a snap-on feature to support the collimator.
3. The ProLight light source must be protected from any axial or lateral loads caused by the collimator - do not clamp the collimator against the ProLight emitter.
4. Do not subject to temperatures greater than  $75^{\circ}\text{C}$  as plastic deformation may occur.  
Protect collimator against exposure to solvents and adhesives that are not compatible with it.  
Use care in handling the optic to avoid scratches or other damage that will effect the optical performance.

# Typical Representative Spatial Radiation Pattern

## Spot Radiation Pattern

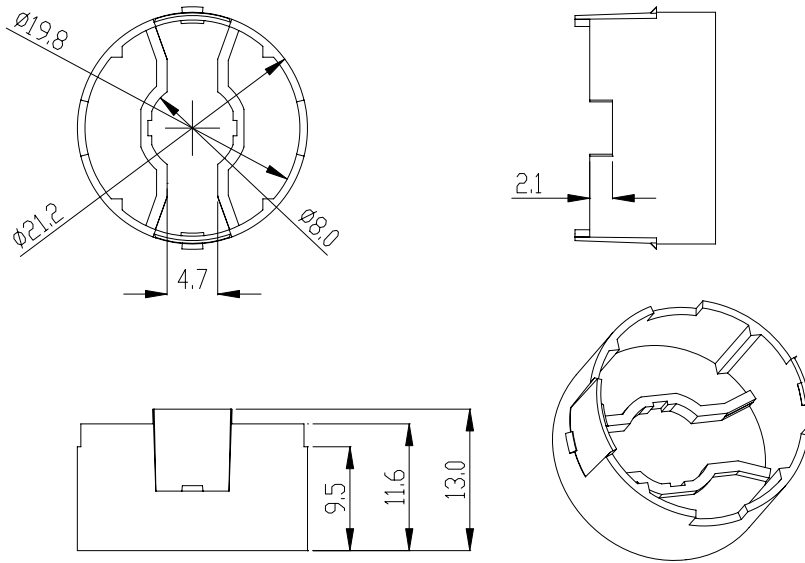


## Holder Options

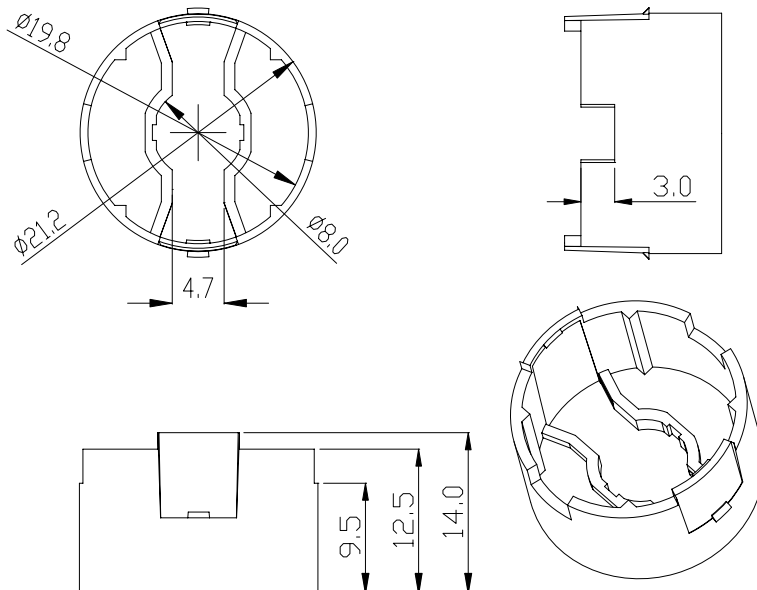
Part Number.	Holder Outline	Recommend Using
PG1N-SO01 for PG1N PG1N-SO02 for PG1A		
PG1N-SE01 for PG1N PG1N-SE02 for PG1A		

# Holder Mechanical Dimensions

## 1. PG1N-S001



## 2. PG1N-S002

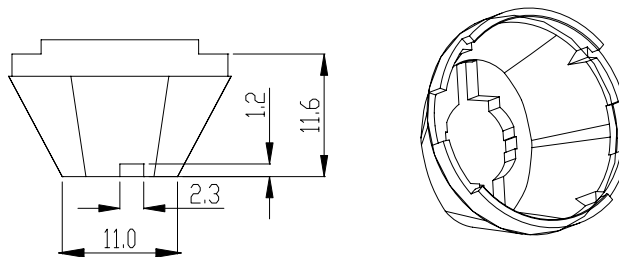
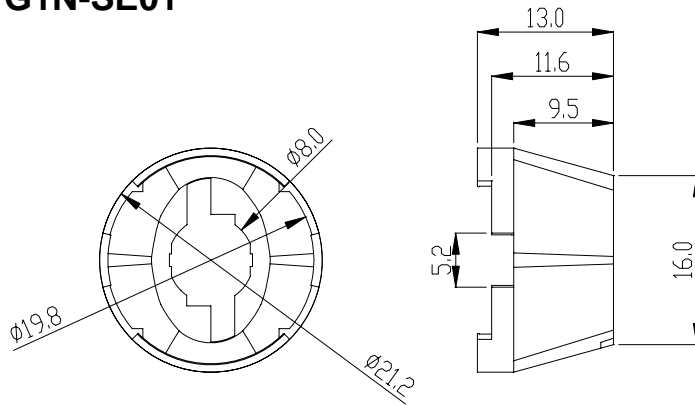


### Notes:

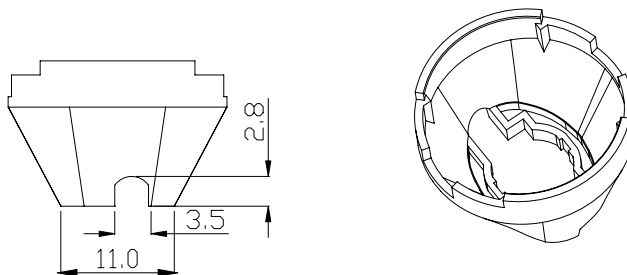
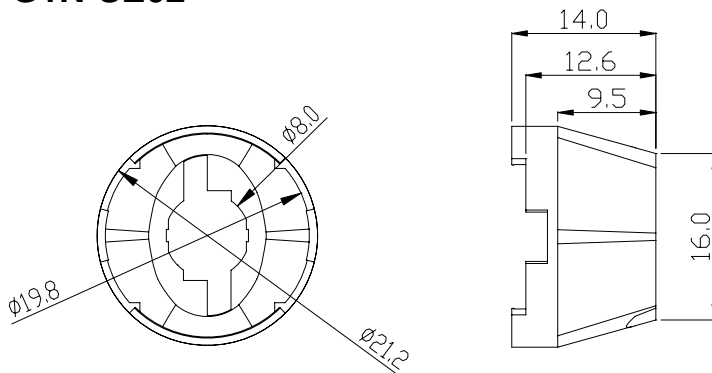
1. All dimensions in millimeters.
2. All dimensions without tolerances are for reference only.
3. Drawing not to scale.

# Holder Mechanical Dimensions

## 1. PG1N-SE01



## 2. PG1N-SE02



### Notes:

1. All dimensions in millimeters.
2. All dimensions without tolerances are for reference only.
3. Drawing not to scale.