

*The EliteLux L2 is Latest member of L series high power LED based GU10 lamp that utilizes the Cool Beam Technique, offering a more economical, high performance and more thermally stable spotlight.*

EliteLux L2 series is a member of our Cool Beam Technique solutions, specially designed for high performance and maximum light intensity. The L2 series features one piece of 1W, 3W or 4W power LED; stylish aluminum housing not only provides a fancy look of the futures, but also a sophisticated heat sink as it makes heat dissipating more efficiently. EliteLux L2 series GU10 retrofits into standard GU10 fixtures and housings, hence enables immediate replacement without any additional adjustments.

The lamp features standard GU10 bi-pin connectors and molded aluminum housing with chrome or frosted finish. The EliteLux L2 series is available in 1W, 3W and 4W power rating. They are also available in three distinct white Kelvin temperatures: 3000K, 3500K and 6000K. Other custom colors are also available.

The L2 series utilizes the Cool Beam Technique specifically developed for driving high power (up to 5W) solid state devices. It uniquely allows heat to dissipate efficiently; making the product thermally stable for long hours of operation and last much longer than conventional LED based GU10.

EliteLux L2 series GU10 is equipped with optical grade polycarbonate collimator that allows highest light transmission at 45° beam angle.



### Features

- Light source: 1W, 3W or 4W power LED
- Source life: More than 40,000 hours
- Low heat, no UV or IR light radiation
- Full range of colors
- Homogeneous illumination
- Sleek designed heat fins with excellent thermal efficiency
- 4W GU10 can achieve directional light output equal to 25W halogen lamp yet consume 80% less power
- Reverse polarity protection
- Safety Standard: CE
- Works with worldwide electrical systems (100~240V AC)

### Typical Applications

- Landscape Accent/Spot lighting
- Architectural Lighting
- Display Case Accent
- Artwork Lighting
- Mood Lighting/General lighting
- Amusement Park Accent



## PRODUCT SPECIFICATIONS

<b>LIGHT SOURCE</b>	<i>1X1W, 1X3W or 1X4W power LED</i>
<b>OPTICS</b>	<i>Optical grade PC lens</i>
<b>LENS DIAMETER</b>	<i>28 mm</i>
<b>BEAM ANGLE</b>	<i>45° ( Wide Spot)</i>
<b>MIN BEAM DISTANCE</b>	<i>15cm (6 inches)</i>
<b>RENDERING INDEX (Ra)</b>	<i>&gt;80 (for cool white)</i>
<b>TOTAL LENGTH</b>	<i>61.8 mm (including pins)</i>
<b>WEIGHT</b>	<i>45 g</i>
<b>HOUSING</b>	<i>Molded aluminum with chrome or gun metal finish, 5 cm (2") diameter.</i>
<b>BASE</b>	<i>GU10 pins</i>
<b>DIMMABILITY</b>	<i>Not Dimmable</i>

## ENVIRONMENTAL SPECIFICATIONS

<b>TEMPERATURE RANGE</b>	<i>Ambient: -20° C to 40° C; Surface of Lamp: 60° C to 70° C</i>
<b>HUMIDITY RANGE</b>	<i>0 – 95% non-condensing humidity</i>

## ELECTRICAL SPECIFICATIONS

<b>VOLTAGE REQUIREMENT</b>	<i>100V AC ~ 240V AC</i>
<b>POWER CONSUMPTION</b>	<i>1W, 3W or 4W</i>

## PRODUCT DIMENSIONS (mm)

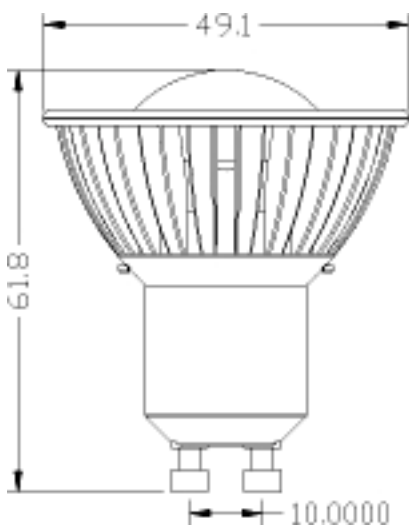


Fig 1. GU10 Side view

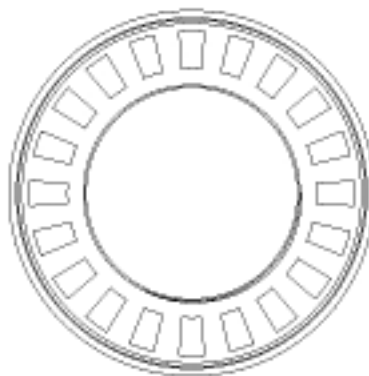
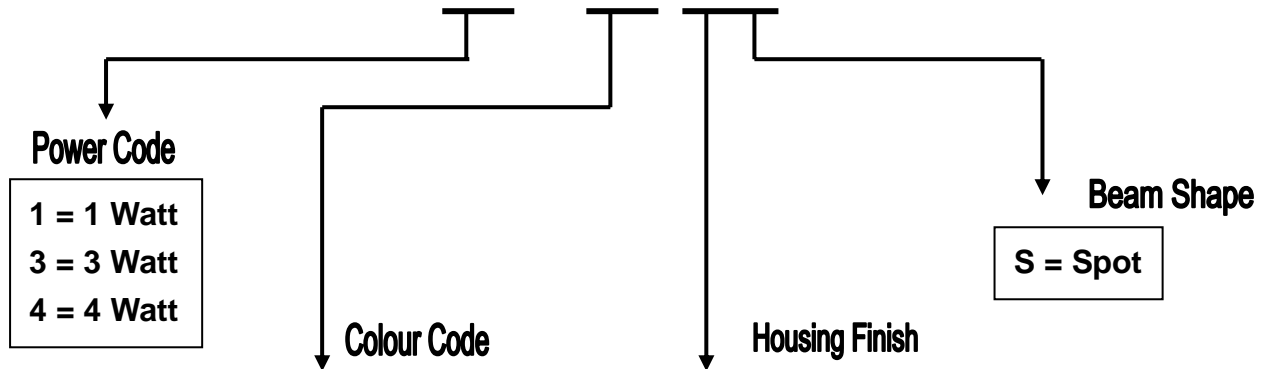


Fig 2. GU10 Top view

## PRODUCT ORDERING CODE

# ELXL2-X3XS



Code	Color	WLD/CCT
W	Cool White	5000K-7000K
V	Warm White	2800K-3800K
R	Red	625nm
A	Yellow	595nm
G	Green	525nm
B	Blue	470nm

Code	Finish
C	Chrome
G	Gun Metal

## 1W GU10 PRODUCT CODE

ORDER CODE	Color	Wavelength or CCT	Operating Voltage	LED Power (W)	Typical Luminous Flux (lm)	Typical Illuminance @ 1m (Lux)	Beam Angle
EL1L2-W3XS	Cool White	5000K~7000K	100-240VAC	1X1W	40lm	80	45° ± 2°
EL1L2-V3XS	Warm White	2800K~3800K			30lm	70.	
EL1L2-R3XS	Red	625nm			40lm	.	
EL1L2-O3XS	Red-Orange	610nm			45lm		
EL1L2-A3XS	Yellow	595nm			40lm		
EL1L2-G3XS	Green	530nm			40m		
EL1L2-B3XS	Blue	470nm			15m		

## 3W GU10 PRODUCT CODE

ORDER CODE	Color	Wavelength or CCT	Operating Voltage	LED Power (W)	Typical Luminous Flux (lm)	Typical Illuminance @ 1m (Lux)	Beam Angle
EL3L2-W3XS	Cool White	5000K~7000K	100-240VAC	1X3W	75lm	100	45° ± 2°
EL3L2-V3XS	Warm White	2800K~3800K			45lm	70	
EL3L2-R3XS	Red	625nm			55lm	.80	
EL3L2-O3XS	Red-Orange	610nm			60lm	85	
EL3L2-A3XS	Yellow	595nm			55lm	80	
EL3L2-G3XS	Green	530nm			55lm	110	
EL3L2-B2XS	Blue	470nm			20lm	8	

## 4W GU10 PRODUCT CODE

ORDER CODE	Color	Wavelength or CCT	Operating Voltage	LED Power (W)	Typical Luminous Flux (lm)	Typical Illuminance @ 1m (Lux)	Beam Angle
EL4L2-W3XS	Cool White	5000K~7000K	100-240VAC	1X4W	120lm	140	45° ± 2°
EL4L2-V3XS	Warm White	2800K~3800K			100lm	100	
EL4L2-R3XS	Red	625nm			120lm	130	
EL4L2-O3XS	Red-Orange	610nm			140lm	150	
EL4L2-A3XS	Yellow	595nm			130lm	110	
EL4L2-G3XS	Green	530nm			120lm	140	
EL4L2-B3XS	Blue	470nm			30lm	15	

Illumination Characteristics ( $T_a = 25^\circ C$ )

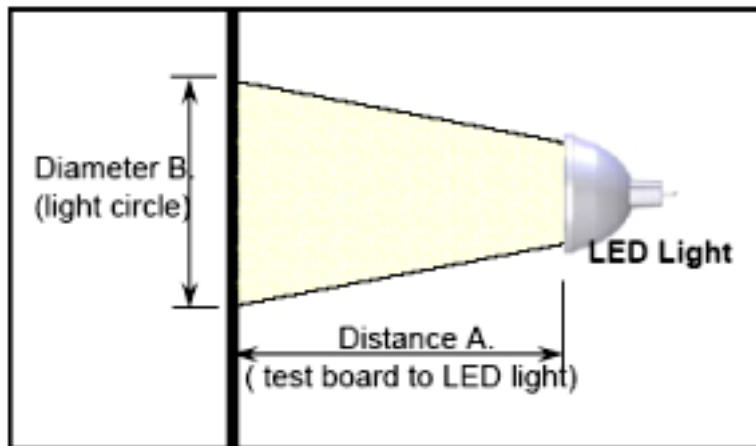


Fig 1. Set up for Illuminance Measurement

## 1W Spot Model

Distance		Typical Illuminance Measured at Center of Beam (Lux and foot-candle)					
Dist A (cm)	Dist B (cm)	Cool White		Nat. White		Warm White	
		Lux		Lux		Lux	
30	28	780		N.A.		680	
50	45	310		N.A.		290	
100	86	80		N.A.		70	
150	128	40		N.A.		38	
200	160	23		N.A.		20	

Note: a) Center beam lux is measured with Digital Lux Meter (Model TES-1334A)

## 3W Spot Model

Distance		Typical Illuminance Measured at Center of Beam (Lux and foot-candle)					
Dist A (cm)	Dist B (cm)	Cool White	Warm White	Green	Blue	Red	Yellow
		30	28	900	750	1025	35
50	45	380	290	380	15	300	325
100	86	100	77	110	8	80	88
150	128	48	38	48	3.5	40	43
200	160	28	23	27	3	30	26

Note: a) Center beam lux is measured with Digital Lux Meter (Model TES-1334A)

## 4W Spot Model

Distance		Typical Illuminance Measured at Center of Beam (Lux and foot-candle)					
Dist A (cm)	Dist B (cm)	Cool White	Warm White	Green	Blue	Red	Yellow
		30	28	1150	1070	1220	50
50	45	480	410	490	25	450	360
100	86	140	110	140	15	130	110
150	128	75	70	75	12	70	50
200	160	50	45	50	10	50	35

Note: a) Center beam lux is measured with Digital Lux Meter (Model TES-1334A)

Typical Electrical Characteristics at  $T_a = 25^\circ C$

## 1W Model

Parameter	Symbol	Min	Typ	Max	Unit
Input Voltage (AC)	$V_{AC}$	100	-	240	V
LED Forward Current	$I_F$	-	350	-	mA
Estimated Life		-	40.000	-	Hours
Optimized Body Temp.(1W)	T	-	50	55	$^\circ C$

## 3W Model

Parameter	Symbol	Min	Typ	Max	Unit
Input Voltage (AC)	$V_{AC}$	100	-	240	V
LED Forward Current	$I_F$	-	500	-	mA
Estimated Life		-	40.000	-	Hours
Optimized Body Temp.(3W)	T	-	55	60	$^\circ C$

## 4W Model

Parameter	Symbol	Min	Typ	Max	Unit
Input Voltage (AC)	$V_{AC}$	100	-	240	V
LED Forward Current	$I_F$	-	700	-	mA
Estimated Life		-	40.000	-	Hours
Optimized Body Temp.(4W)	T	-	65	70	$^\circ C$

## Optional Cable Accessories

1) GU10 Connector – Part No.: 23201

Approval: VDE, UL

Rating: 125V 100W/250V 4A

Material: Porcelain



## PACKAGING SPECIFICATIONS

