



ProLight Opto
Technology Corporation



**ProLight PG1N-MY57
Mining Lamp Reflector
Technical Datasheet
Version: 2.6**

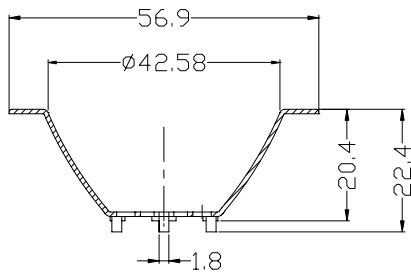
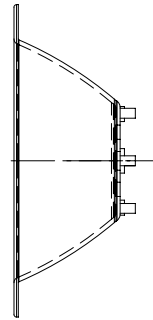
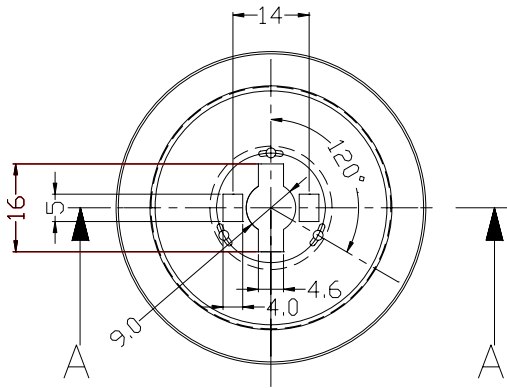
Features

- Up to typical 1700lux @ 1m with ProLight Power Package
- 15cm spot light @ 1m distance

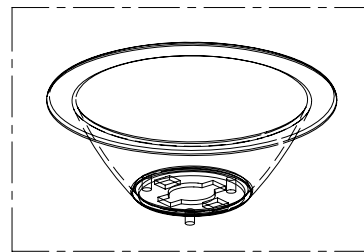
Typical Applications

- Excellence Performance in Mining Lamp
- Portable (flashlight, bicycle)

Reflector Mechanical Dimensions



SECTION A-A



PG1N-MY57

Notes:

1. All dimensions in millimeters.
2. All dimensions without tolerances are for reference only.
3. Do not subject to temperatures greater than 75°C as plastic deformation may occur.

Representative Spatial Radiation Pattern

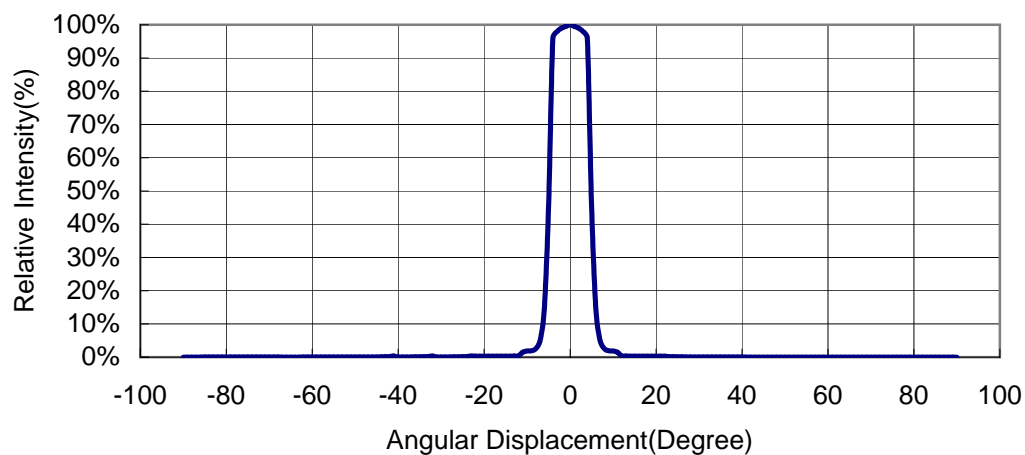


Figure 1. Representative Spatial Radiation for ProLight white color emitter devices with reflectors.

Power LED Options

ProLight Power LED P/N:

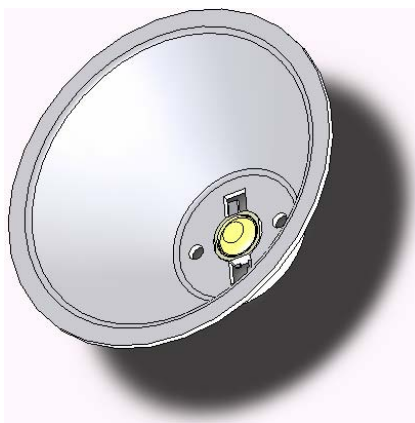
Recommend Using

PG1A-1MWE

PG1A-1MWS

PG1A-1MWE-DL (雙光源)

PG1A-1MWS-DL (雙光源)



Note:

1. Please refer to the relative High Power LED Datasheet for the details.

ProLight